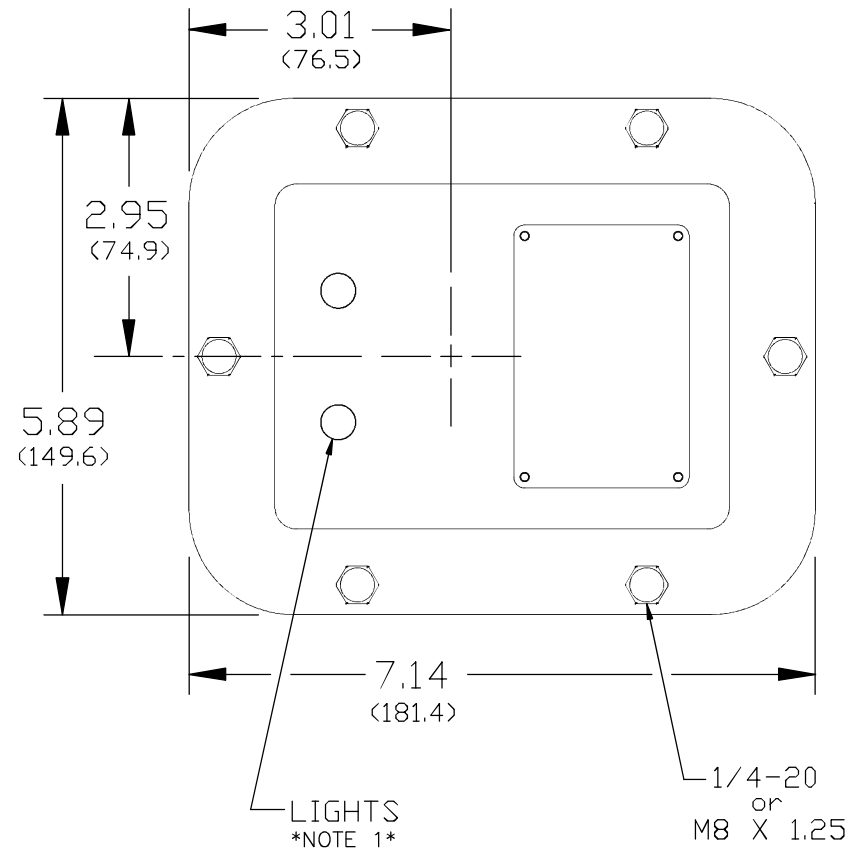
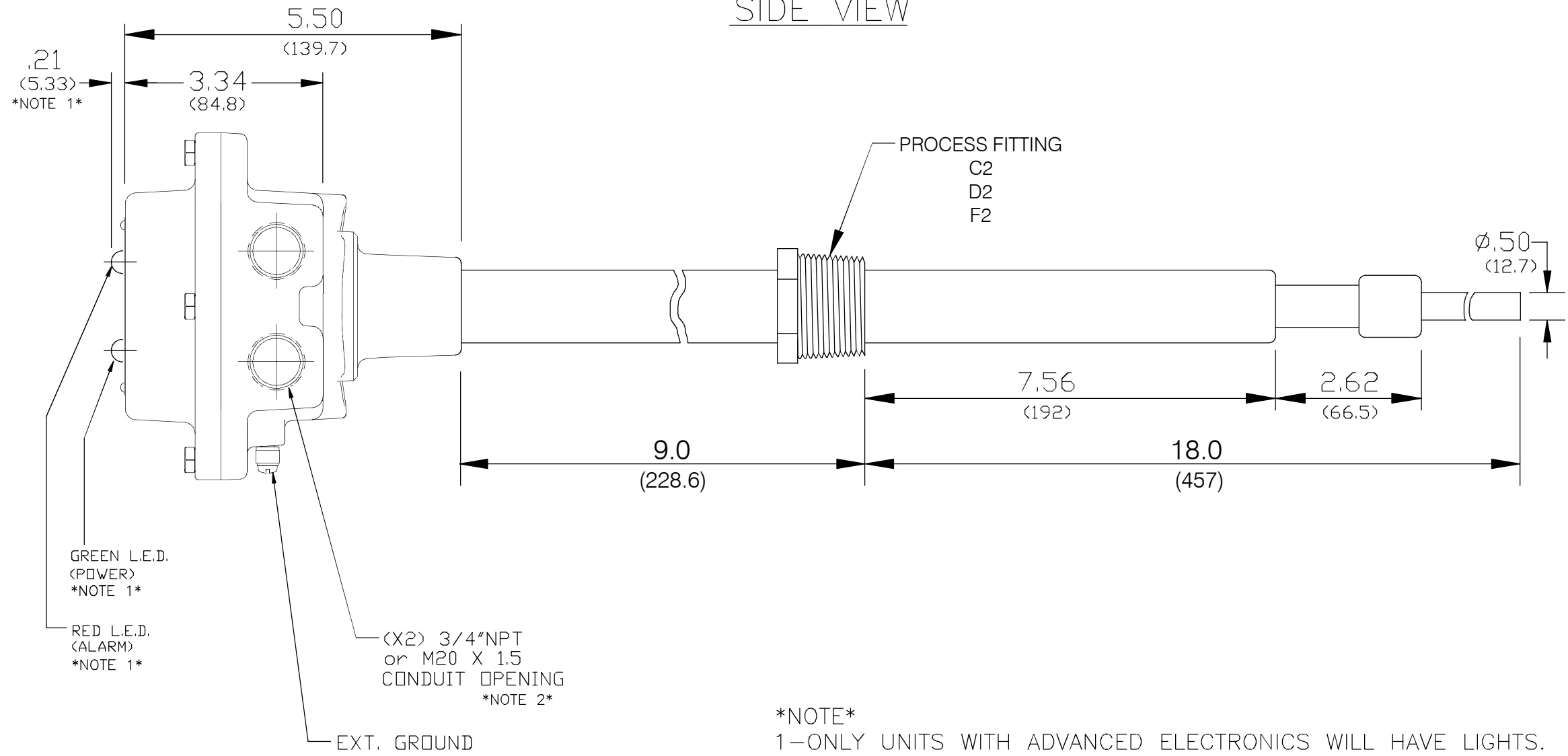


TOP VIEW



SIDE VIEW



NOTE
 1-ONLY UNITS WITH ADVANCED ELECTRONICS WILL HAVE LIGHTS.
 2-FOR HORIZONTAL MOUNTING, CONDUIT OPENINGS MUST FACE DOWNWARDS AND INCLUDE DRIPLOOP.

C2, D2, & F2 PROCESS FITTINGS SHOWN

DO NOT SCALE. DIMENSIONS ARE IN INCHES. BRACKETED DIMENSIONS ARE IN MILLIMETERS.

				venture MEASUREMENT 150 VENTURE BLVD. SPARTANBURG, SC 29306		TITLE OUTLINE DWG FOR VRFII CERAMIC PROBE		SCALE NONE	
				FILE VRF285032		REF		SIZE B	
A INIT. RELEASE				13-533 SE		UNspecified TOLERANCES DECIMALS: XX ±=.01 XXX ±=.005 ANGLES: ±=1/2° DEBURR & BREAK EDGES .005 Ⓢ = CRITICAL DIM. OR NOTE		MATERIAL -----	
REVISIONS				ECN #		DRAWN BY DATE		APP'D BY DATE	
						PART VRF285032		SHEET 1 of 1	