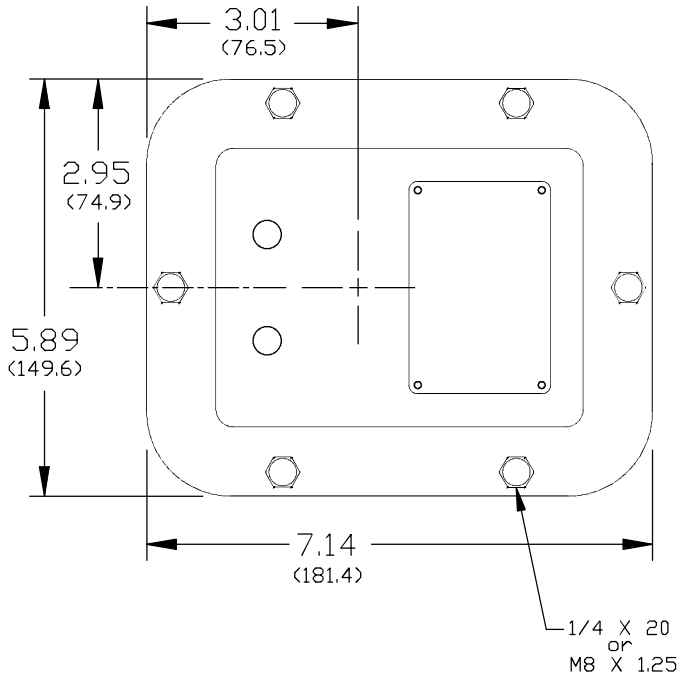
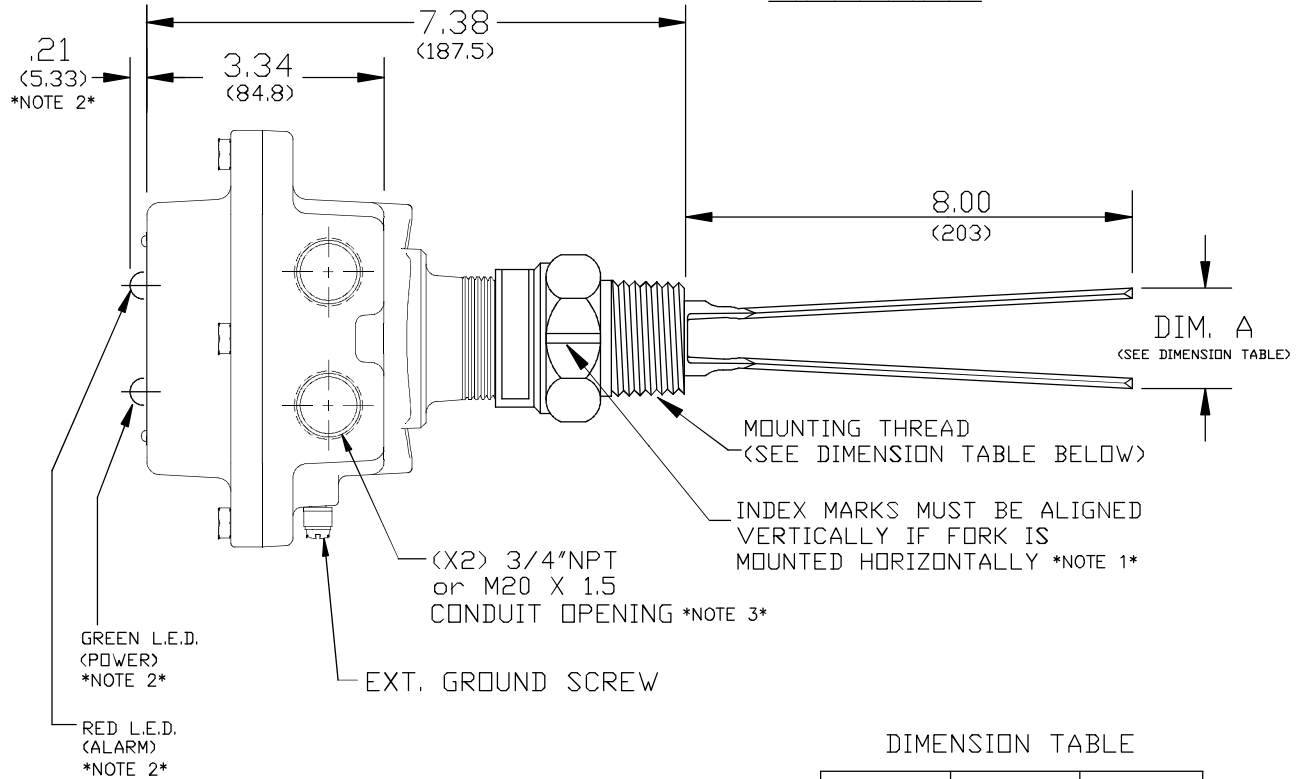


TOP VIEW



SIDE VIEW



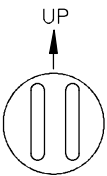
DIMENSION TABLE

PROCESS FITTING	C2	D2
MOUNTING THREAD	1-1/4"	1-1/2"
DIM A	1.4" NOM (35.56mm)	1.7" NOM (43.18mm)

NOTE

- 1-INSTALL FORKS WITH OPENING BETWEEN TINES ALIGNED WITH CONDUIT HOLES IN FRAME AS SHOWN.
- 2-STANDARD AND REMOTE FORKS WILL NOT HAVE LIGHTS. ONLY ADVANCED UNITS WILL HAVE LIGHTS.
- 3-FOR HORIZONTAL MOUNTING, CONDUIT OPENINGS MUST FACE DOWNWARDS AND INCLUDE DRIPLOOP.

OUTLINE DWG FOR LPII STANDARD UNIT with C2 & D2 PROCESS FITTINGS



DETAIL A

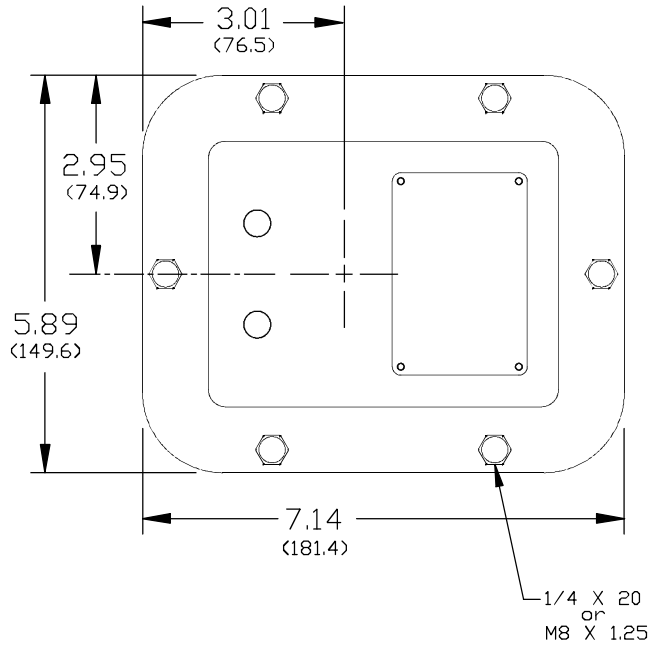
END VIEW OF FORK SHOWING ORIENTATION OF TINES (HORIZONTAL INSTALLATION)

B	ADDED PAGE 2	13-533	SE	12-3-13	
A	INIT. RELEASE	13-300	SE	8-13-13	
REVISIONS		ECN #	DRWN/CK'D BY	APP'D BY	
			DATE	DATE	

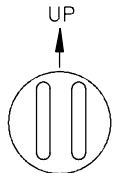
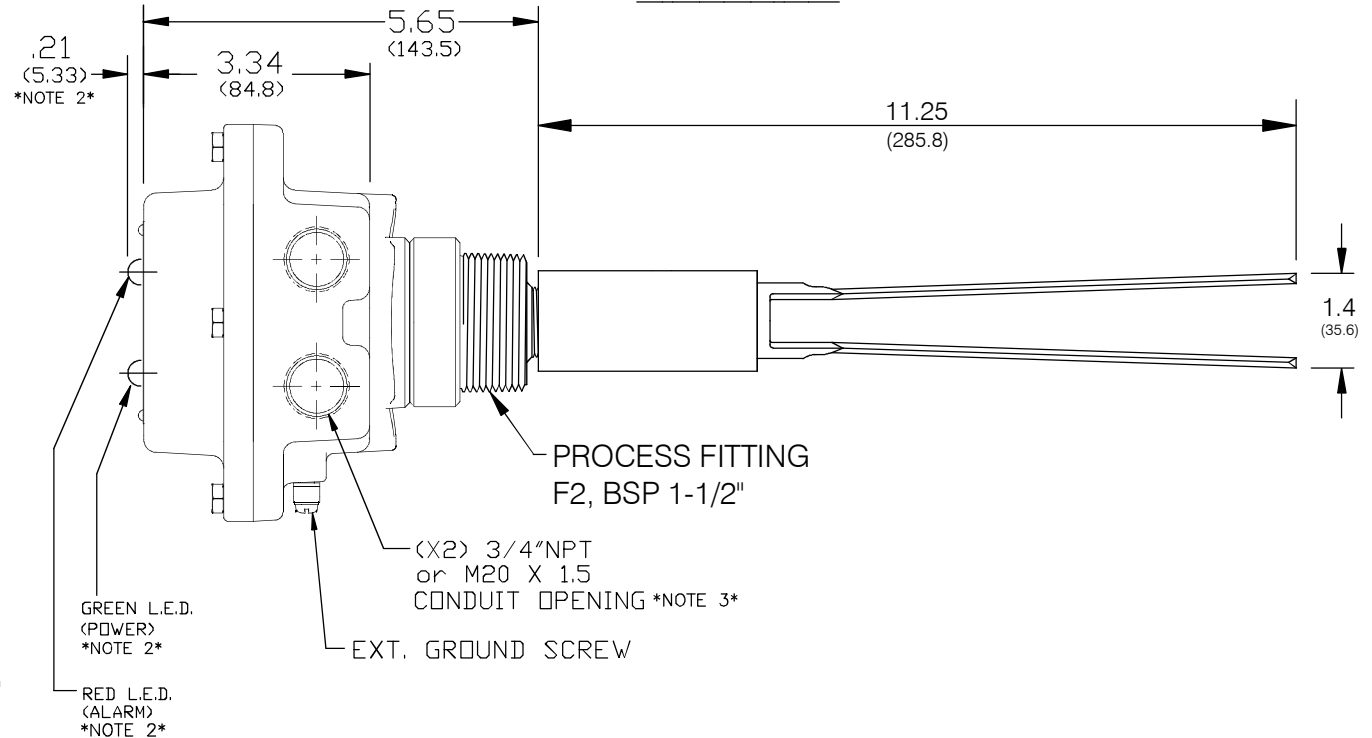
 150 VENTURE BLVD. SPARTANBURG, SC 29306 FILE LVP280007_A_*	TITLE	Outline Drawing for LPII Standard Unit	SCALE	NONE
	REF		SIZE	A
UNSPECIFIED TOL. = ±.01 FRACTIONS: XX = ±.01 XXX = ±.005 ANGLES: = ±1/2" DEBURR & BREAK EDGES .035 Ⓢ = CRITICAL DIM. OR NOTE	MATERIAL		PART	LVP280007
	FINISH			SHEET 1 of 2

DO NOT SCALE. DIMENSIONS ARE IN INCHES. BRACKETED DIMENSIONS ARE IN MILLIMETERS.

TOP VIEW



SIDE VIEW



DETAIL A

END VIEW OF FORK SHOWING ORIENTATION OF TINES (HORIZONTAL INSTALLATION)

NOTE

- 1-INSTALL FORKS WITH OPENING BETWEEN TINES ALIGNED WITH CONDUIT HOLES IN FRAME AS SHOWN.
- 2-STANDARD AND REMOTE FORKS WILL NOT HAVE LIGHTS. ONLY ADVANCED UNITS WILL HAVE LIGHTS.
- 3-FOR HORIZONTAL MOUNTING, CONDUIT OPENINGS MUST FACE DOWNWARDS AND INCLUDE DRIPLOOP.

OUTLINE DWG FOR LPII STANDARD UNIT with F2 PROCESS FITTING

DO NOT SCALE. DIMENSIONS ARE IN INCHES. BRACKETED DIMENSIONS ARE IN MILLIMETERS.

PART	SHEET
LVP280007	2 of 2 Rev B