

MBA 5 BIN LEVEL INDICATOR

Installation and Operation Instructions

APPLICATION:

Used as limit switch for dust, powder, granulated and small-sized products. Maximum product particle size 1/2" (15mm).

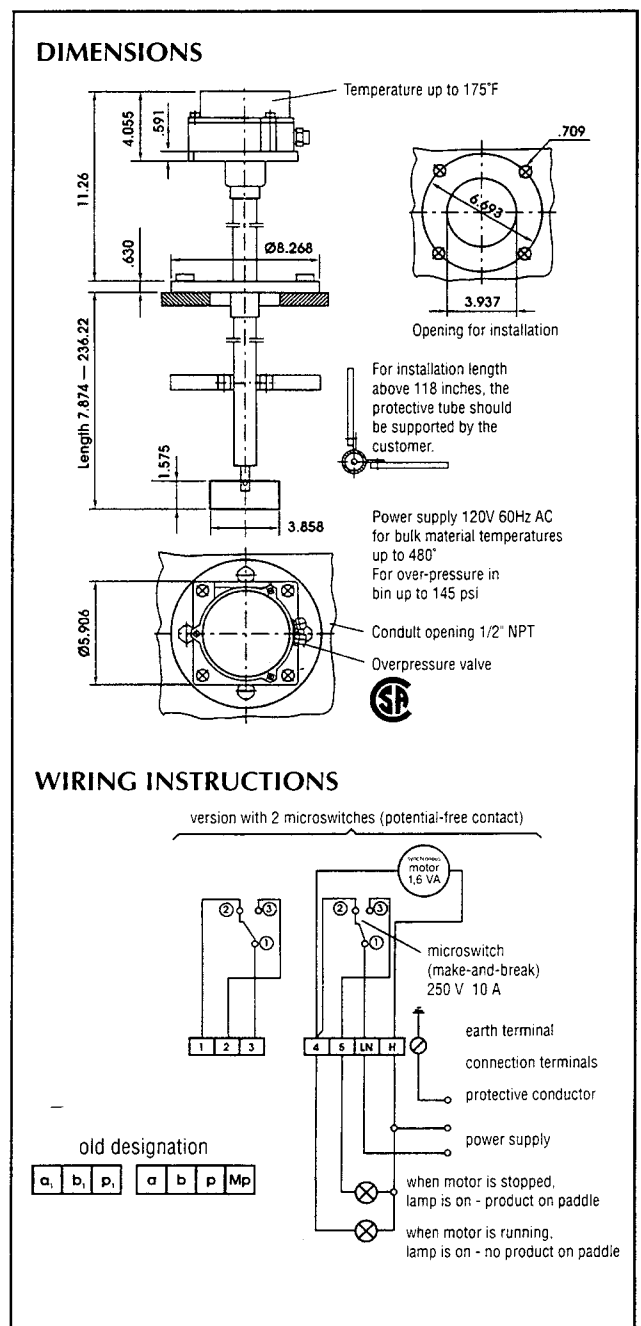
PRINCIPLE:

A synchronous motor drives a gear rotating a paddle extending into the bin. When the product reaches the paddle, it is prevented from rotating. The moment of

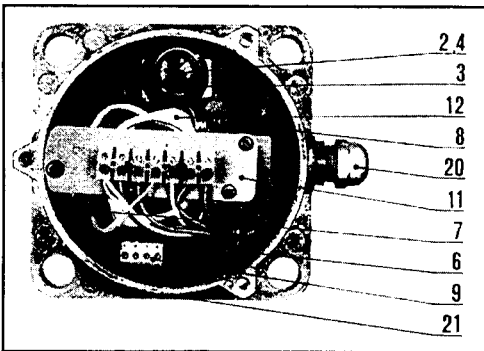
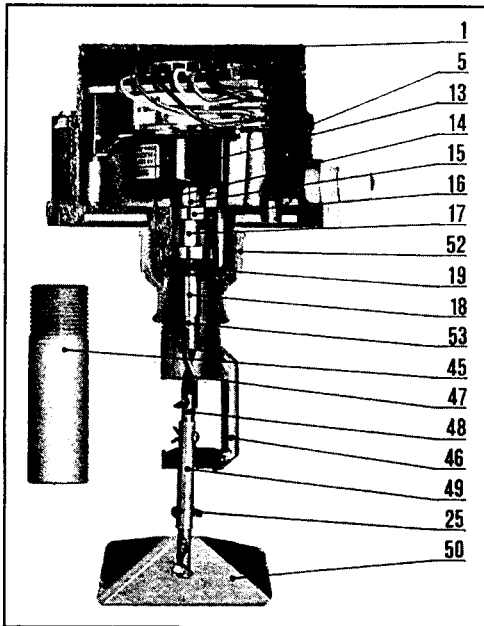
reaction of the motor is used to actuate a microswitch for operating the signal or control device connected. Furthermore, the motor of the bin level indicator is switched off. When the level of the product falls below the paddle, the paddle is released and the microswitch is returned by a spring to its original position. This restarts the motor and the signal or control device.

MBA 5/T250/D10 SPECIFICATIONS

Installation:	Vertical (top-of-bin mounting)
Dimensions and Mounting details:	Refer to installation drawing
Paddle/shaft length (insertion depth):	Up to 16.5 ft. (5000mm)
Materials:	Housing made of cast aluminum- parts in contact with the product are stainless steel.
Construction:	NEMA 4/5, IP 65
Electrical Connections:	Refer to wiring diagram
Conduit Opening:	1/2" NPT
Supply Voltage:	120VAC (50/60 Hz), 240VAC (50/60 Hz)
Microswitch Output:	Standard version with 2 switches (potential-free contacts)
Response time/ signal delay:	Normally 2 seconds
Paddle Sizes:	Standard 4" x 1.5" (98 x 40mm) or 10" x 4" (250 x 100mm) for light-weight products
Bearing (shaft guide):	With dust-proof and pressure-tight enclosed ball bearings
Temperatures:	Equipped for high temperature 480° F (250° C)
Pressure:	Equipped for high pressure or vacuum 145 psi (10 bar)
Weight:	Unit weight approx. 15 lbs (7 kg)
Agency Approval:	CSA-Certified



SPARE PARTS LISTING



Item	Part no.	List of spare parts
1	206572	instrument cover
	206634	instrument cover for one lamp, right-side
	206633	instrument cover for one lamp, left-side
	206248	instrument cover for two lamps
2	003101	cap, green
	003102	cap, red
3	206243	control lamp, complete
4	003127	spare lamp
5	009776	sealing
6	206552	support
7	010121	tension spring
8	206904 ¹⁾	heating
9	206896 ¹⁾	voltage converter
11	206262	terminal holder, two switches
	206263	terminal holder, delayed starting
	206264	terminal holder, delayed returning
	207750 ¹⁾	electronic switching delay
12	206168	cam disk
13	207760 ¹⁾	synchronous motor
14	206162	leaf spring
15	017071	shaft
16	007479	ball bearing
17	206260	spacer socket
18	018536	connecting piece
19	016909	sealing ring
20	010385	screwing
21	010238	dummy plug
25	201041	bolt
45	206947/206967 ²⁾	protective tube
46	206946/206902 ²⁾	shaft guide
47	201042	universal joint
48	018540	fork joint
49	206587/206219 ²⁾	shaft extension
50	206782	paddle 40 x 98mm
	206785	paddle 98 x 98mm
52	010321/018823	reducing socket
53	018538	coupling fork
	014247	flange sealing

¹⁾ voltage and frequency as specified by customer

²⁾ L(mm), temperature and material as specified by customer

Distributed by:

BINDICATOR
LEVEL INSTRUMENTATION

150 Venture Boulevard
Spartanburg, SC 29306
Phone: (864) 574-8960, **Fax:** (864) 578-7308
Customer Service: (800) 778-9242
Internet: <http://www.bindicator.com>
email: sales@bindicator.com



For information, specifications, installation instructions and engineering help with any Bindicator product, contact Bindicator or your local authorized representative.