



- Compact size
- Adjustable sensitivity
- External LED

**Features and Benefits**

**Simple Mechanical Mechanism**  
No calibration required

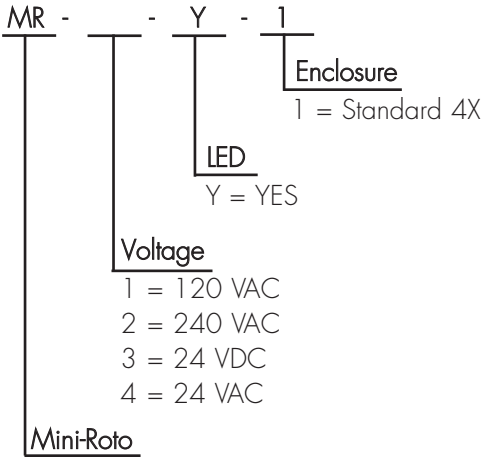
**Wide Variety of Paddle Options**  
Unequaled application versatility

**Mount in Any Orientation**  
Gives user the option of applying a sensor for high, intermediate, or low level control

The Roto-Bin-Dicator® is the most universal of all level sensing technologies and is the most popular level switch used in dry bulk materials. The Roto-Bin-Dicator® is a rotating paddle type, bulk material level sensor offered with a wide variety of paddle options for unequaled application versatility. It is easy to install and requires no special tools or calibration.

The compact injection molded impact resistant “Mini Roto” has been designed for use in small bins and hoppers where mounting space is a premium. This compact yet rugged level sensor includes adjustable sensitivity allowing it to be used in materials with densities between 5 lbs/cu ft and 65 lbs/cu ft.

**How to Order**



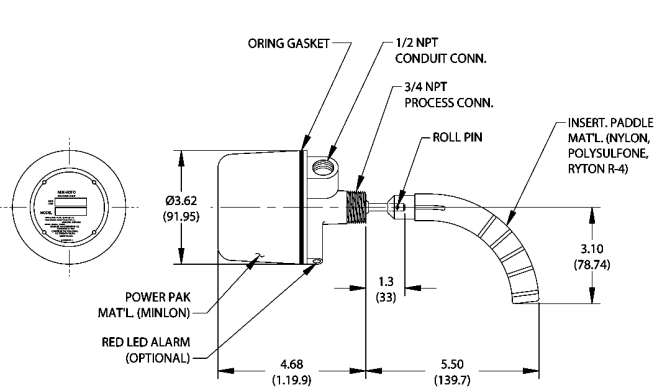
**Accessories**

Description	Order Number
2 Vane (3"x12") PVC Paddle	LMR110006
PVC Extension & Guard Assembly	LMR110007
304 S.S. Extension & Guard Assy.	LMR110008
Insertable paddle, Nylon®	LMR120003
4 Vane Paddle, Nylon®	LMR120006
4 Vane Paddle, Ryton®	LMR120024
4 Vane Paddle, Food Grade	LMR120025
Insertable Paddle, Ryton®	LMR120026
Insertable Paddle, Food Grade	LMR120027
Mounting Plate, Nylon®	LMR130025
Mounting Plate Gasket	LMR130026

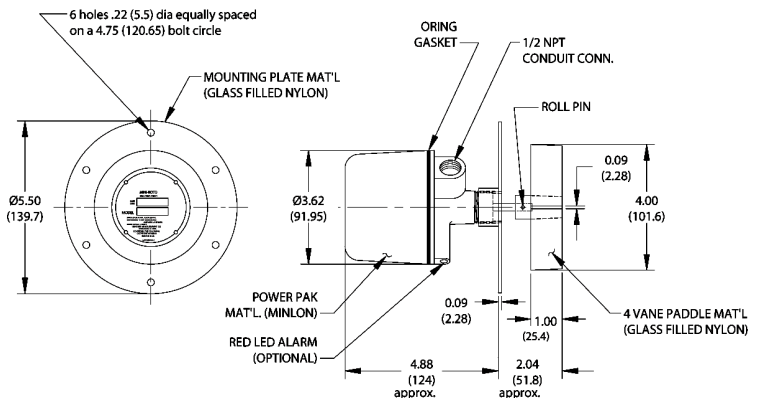
# Specifications

<b>Housing and Cover:</b>	Injection molded Minlon®, corrosion resistant weatherproof (NEMA 4, 4X, 5)
<b>Drive Shaft Assembly:</b>	Precision machined shaft with two shielded ball bearings
<b>Shaft Seal:</b>	Teflon®/Viton™ Lipsel™ rated ½ micron @ 30 psi (2.1 kg/cm²) @ 400° F (204° C)
<b>Operating Temperature:</b>	-40° F (-40° F) to 200° F (93° C)
<b>Motor Rating:</b>	Permanent-magnet synchronous, 2 watts 120/240 VAC ± 10%, 2 watts 24 VAC ± 10%
<b>Mounting:</b>	¾" NPT
<b>Circuitry:</b>	Designed to shut motor off during presence of material; turn on red LED, 1 watt heater to eliminate moisture in 120 VAC or 240 VAC units only
<b>Paddle:</b>	Nylon®, Ryton®, or Polysulfone™ injection molded "insertable" or "4 vane" and "2 vane" (PVC only)
<b>Shaft Extension:</b>	Available in PVC or 304 S.S.
<b>Screw Terminals:</b>	For power and switch wiring
<b>Clutch:</b>	Prevents damage to motor gear train
<b>Conduit Opening:</b>	½" NPT
<b>Switch Rating:</b>	SPDT 10A 125 VAC; 10A 250 VAC; ½ A 125 VDC; ¼ A 250 VDC
<b>Voltage:</b>	120/240 VAC, 24 VDC or 24 VAC

## Dimensions



NOTE: BRKTD. DIM'S ( ) ARE IN M.M.



NOTE: BRKTD. DIM'S ( ) ARE IN M.M.



150 Venture Boulevard · Spartanburg, SC 29306  
 Tel: (800) 778-9242 · (864) 574-8060  
 Fax: (864) 574-8063 E-mail: sales@bindicator.com  
 www.bindicator.com

Nylon®, Teflon®, and Minlon® are registered trademarks of E.I. du Pont.  
 Viton® is a registered trademark of DuPont Performance Elastomers L.L.C.  
 Ryton® is a registered trademark of Chevron Phillips Chemical Co.  
 2006 All rights reserved.  
 All data subject to change without notice.

