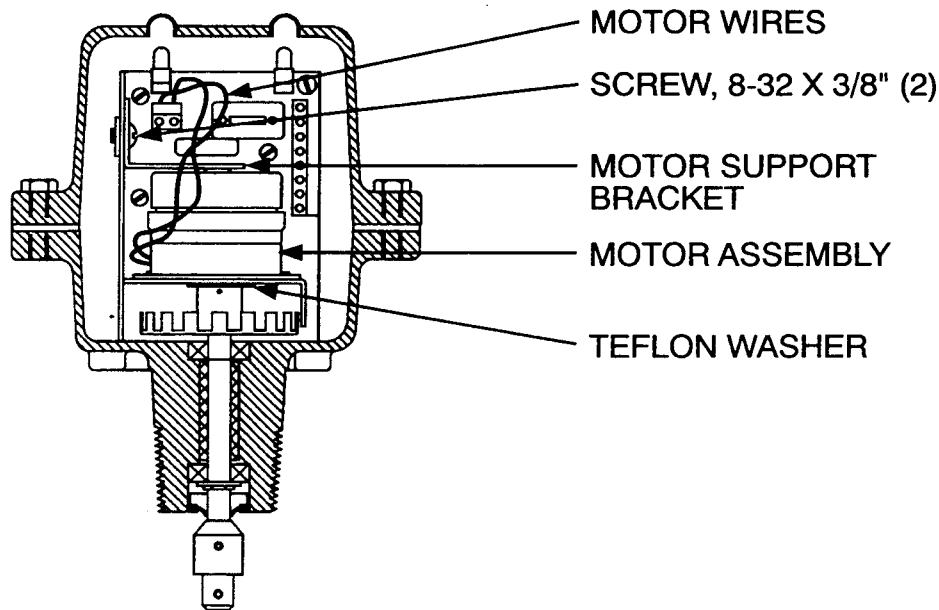


SUPER-SAFE ROTO-BIN-DICATOR®

Motor Replacement Instructions

Tools Required: 1/8" flat blade screwdriver, 5/16" flat blade screwdriver, and a 7/16" socket or wrench

- Disconnect power from unit.
- Remove housing cover using 7/16" wrench or socket.
- Disconnect motor wires from the circuit board using the 1/8" flat blade screwdriver.
- Using the 5/16" flat blade screwdriver, loosen the two screws that hold the motor support bracket in place.
- Pull up on the motor support bracket and remove the motor.
- Install the new teflon washer on the replacement motor (between the motor output shaft and clutch).
- Install the new motor by repeating the above steps in reverse order (last instruction to first).



150 Venture Boulevard, Spartanburg, SC 29306
Phone: (864) 574-8960, Fax: (864) 578-7308
Customer Service: (800) 778-9242

Internet: <http://www.bindicator.com> • email: sales@bindicator.com

For information, specification and engineering help with any Bindicator Company Product contact your local distributor or representative.

**For information, specification
and engineering help with any
Bindicator® Company Product . . .**

**Contact your local
distributor or representative**

• Level and Material Handling Controls •

**Electro-Mechanical
Level Controls**

Super-Safe Roto-Bin-Dicator®
Roto-Bin-Dicator®
Fail-Safe Roto-Bin-Dicator®
Roto-Bin-Dicator® Fail-Safe Plus
Mini-Roto-Bin-Dicator®
Model A Bin-Dicator®
Auto-Bin-Dicator®
Bantam Bin-Dicator®
Liquid Level Bin-Dicator®
Pulse Point™

Material Handling Products

Bin-Flo®
Roto-Guard®

**RF Capacitance
Level Controls**

RF-6000
RF-8000
RF-9000
RF-9100
RF-9200
RF-10000
RF-11000
RF-12000

**Continuous Level
Controls**

Bindicator Yo-Yo®
Silomaster®
Cap-Level® II & IIA
BOSS®
AR-1000™

Ultra-Sonic Level Controls

Intella-Sounder™ 30
LCD-100 Display

BINDICATOR®

150 Venture Boulevard
Spartanburg, SC 29306

Phone: (864) 574-8960, **Fax:** (864) 578-7308

Customer Service: (800) 778-9242

Internet: <http://www.bindicator.com>

email: sales@bindicator.com