

U-485G USB Installation and User Manual

Software Installation:

- Support Windows 2000/XP
- USB V.1.1 and USB CDC V1.1
- USB supply power for the converter
- 300bps~1Mbps, auto tuning
- Every PC support 1 U-485G

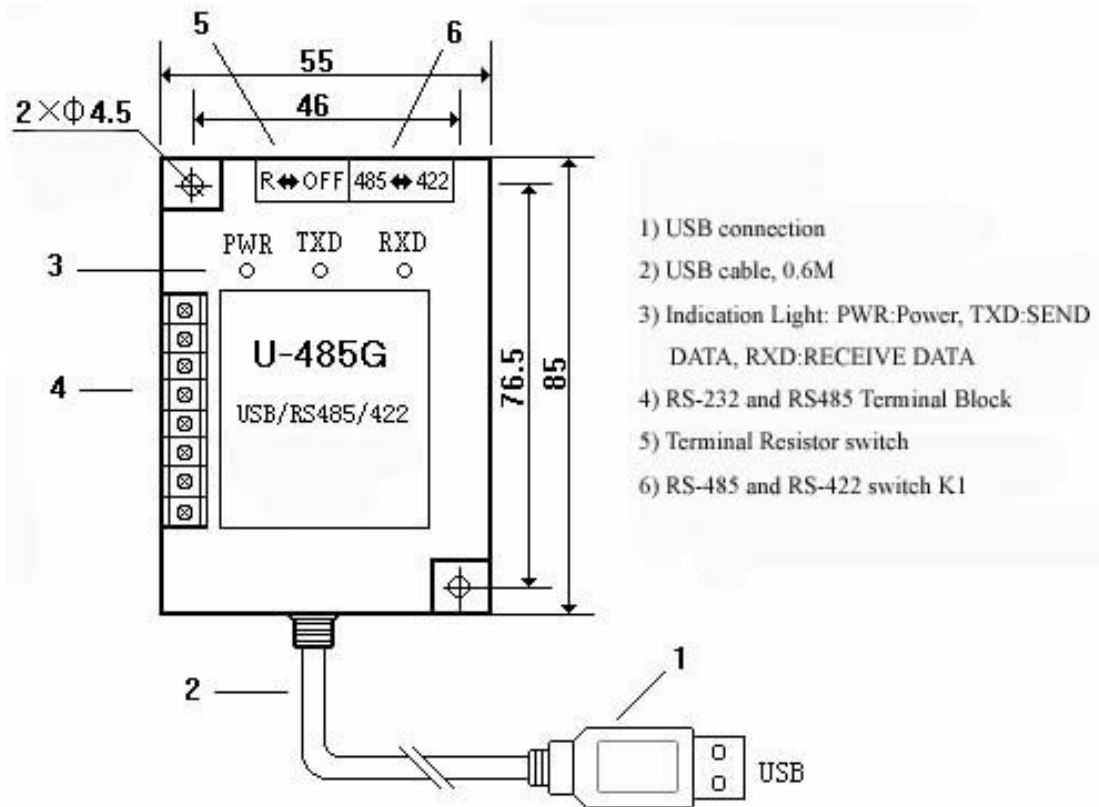
Installation of USB Converter:

- 1) Insert the Drive CD-Rom into the CD-Rom Drive
- 2) Plug in the converter into your computer's USB port
- 3) Your computer system will ask you for this device's driver location. Please point the location of the driver file as the CD-Rom
- 4) Computer system will update the driver list and install the USB converter automatically. This will create a virtual com port on your PC. When USB converter is connected to computer, the USB port is there.
- 5) To check if the USB converter is installed successfully or not, please follow the next step.
 - 1) go to your computer's Control Panel
 - 2) click on System
 - 3) click on Hardware
 - 4) click on Device Manager
 - 5) click on Ports (COM & LPT)
 - 6) while there, unplug the USB device you just installed. If a Comp Port disappear under the Port (COM & LPT), then you installed the USB converter successfully. Make sure to note which COM # is the USB converter.

Uninstall the USB Converter;

- 1) unplug the USB converter from the computer
- 2) got to Add and Remove Software panel from your Control panel. Choose "FOURSTAR USB Serial Converter Drivers" and click on Remove.

Hardware Installation:



Wiring Instruction

Signal	Wring
D+	RS485 Signal +
D-	RS485 Signal -
TXD+	RS422 Signal Send +
TXD-	RS422 Signal Send -
RXD+	RS422 Signal Receive +
RXD-	RS422 Signal -
SG	Signal Ground
FG	Ground

Major Specification:

- 1) USB port provide power, no need other power supply
- 2) Output is 4 wire Full Duplex RS422 connection and 2 wire Half Duplex RS485 connection
- 3) Optical Isolation: 700V continuous or 3500 pulse
- 4) Max communication distance is 3000M(4800bps), 2000M(9600bps)

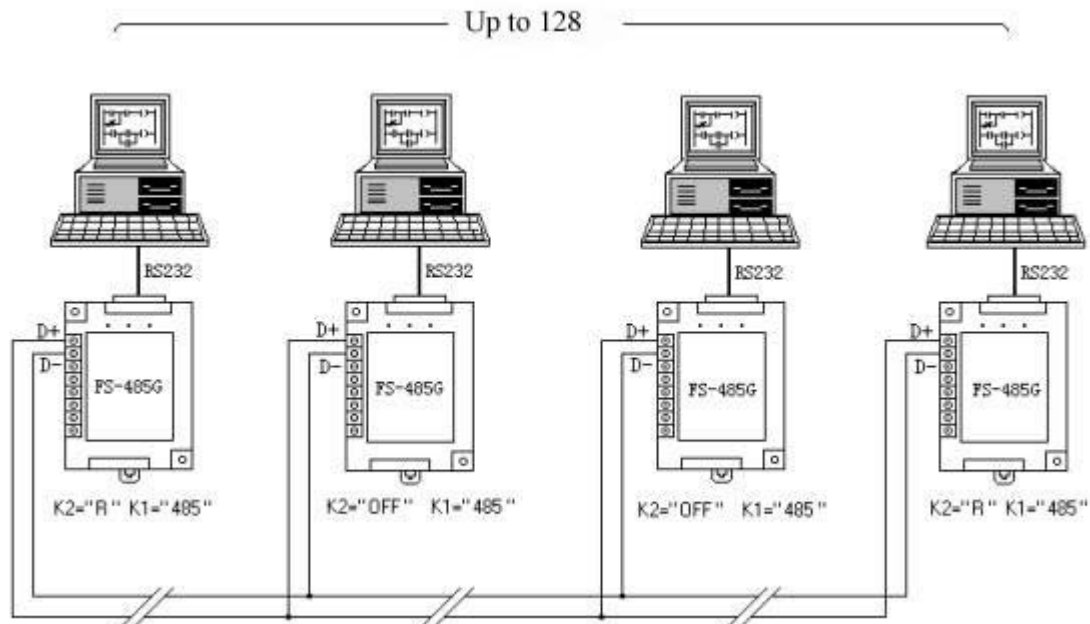
- 5) Max communication network is 32 points
- 6) Communication speed is 300bps~1Mbps
- 7) Support UART: Data position 7,8. Stop Position: 1,2. Comparison Postion: odd/even/no parity
- 8) Surge protection: Can with stand up to 400W voltage surge, protection from static voltage and thunder
- 9) Installation method: 35mm standard din rail
- 10) Working temperature: -20 to 70C
- 11) Size: 85X55X25 mm

Converter Application:

U-485G can be used in point to point or to multiple point network. Beside can connection to other RS-485/422 connection, it can also connection up to 32 PC's USB converter to make a RS-485/422 network.

2 Wire Half Duplex RS-485 Network:

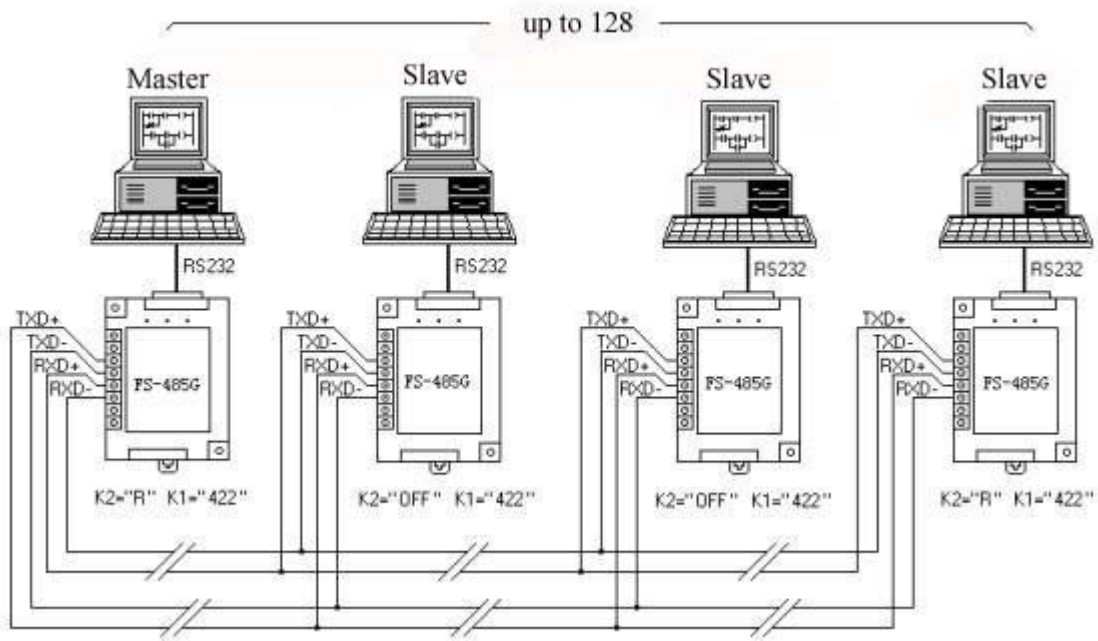
On U-485G converter, switch the dip switch K1 to "485". The Network starting and terminating resistor K2 should be on "R". Other U-485G converter in the network Terminating resistor K2 should be "OFF". Please see below picture.



4 Wire Full Duplex RS-422 Network

On U-485G converter, switch the dip switch K1 to "422". The Network starting and

terminating resistor K2 should be on "R". Other U-485G converter in the network Terminating resistor K2 should be "OFF". Please see below picture.



Notes:

- 1) For wiring, wire diameter should be more than 0.5mm or above, should have at least 120ohm resistance.
- 2) The length of the cable from point to point should not be longer than 15M.
- 3) When using U-485G and other RS485/422 connection, pls make sure the last RS485/422 device use a 120ohm terminating resistor and two 1K resistor. Please see the below picture.

