

Bindicator® has partnered with APM Solutions to bring the 3DLevelScanner to market. The 3DLevelScanner Model S determines the average volume of bulk solids stored in small silos with diameters of up to 13 feet (4 m). It incorporates a non-contact dust-penetrating technology enabling it to overcome the challenges of harsh, dusty environments in many applications.

### How It Works

The 3DLevelScanner employs an array of antennas to transmit low frequency pulses and to receive echoes of the pulses from the contents of the silo, bin, and other containers. The unit measures the time/distance of each echo and its direction. The device's Digital Signal Processor samples and analyzes the received signals to provide very accurate measurements of the level and volume of the stored contents.

## FEATURES AND BENEFITS

### Increase Accuracy and Performance

- Multi-point accuracy
- Low power consumption
- Dust penetrating, low frequency technology
- Long measurement range

### Easy to Maintain

- Upgrade firmware remotely
- Remote configuration and communication
- System redundancy with 3 independent transmitters/receivers
- Non-contact measurement

### Better Inventory Controls

- Reduce safety stock with more accurate inventory levels
- Reduce carrying costs through improved accuracy
- Improve the quality of your process

### Use in Real World Applications

- Use with silos, open bins, etc.
- Works with all solid materials
- Easy navigation with 4-button LCD display

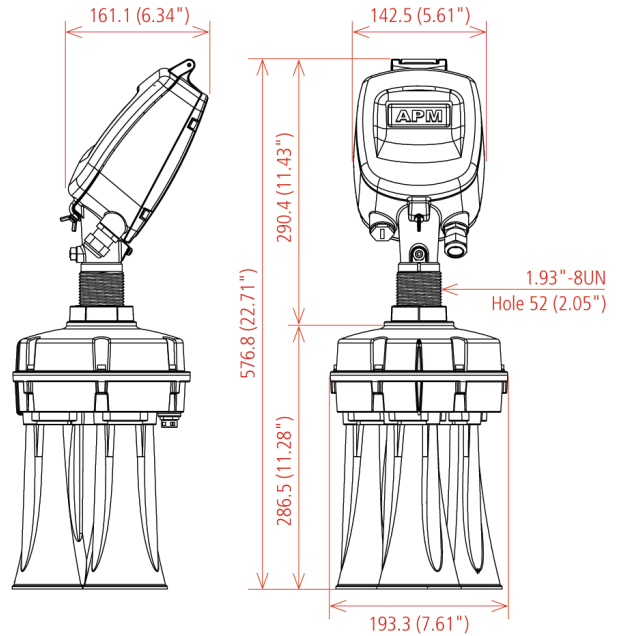
### View the product movie:



Automation Solutions Ltd.

## SPECIFICATIONS

Process Temperature	-40 to 185°F (-40° to 85° C)
Process Pressure	-2.9 to 14.5 psi (-0.2 to 1 bar)
Signal Output	4-20mA, HART, RS485, Modbus
Housing Materials	Aluminum Die Cast
Power Supply	20-32 VDC
Power Consumption	Max 4VA; Max 3 W
Beam Angle	30°
Blind Space	8"
Max Measuring Height	230'
Max Measuring Diameter	13'
Approvals	ATEX, FM, CSA, CE, FCC
Cable Entry/Conduit Connection	2 x 0.5" NPT
Housing Protection Rating	IP67



## HOW TO ORDER

